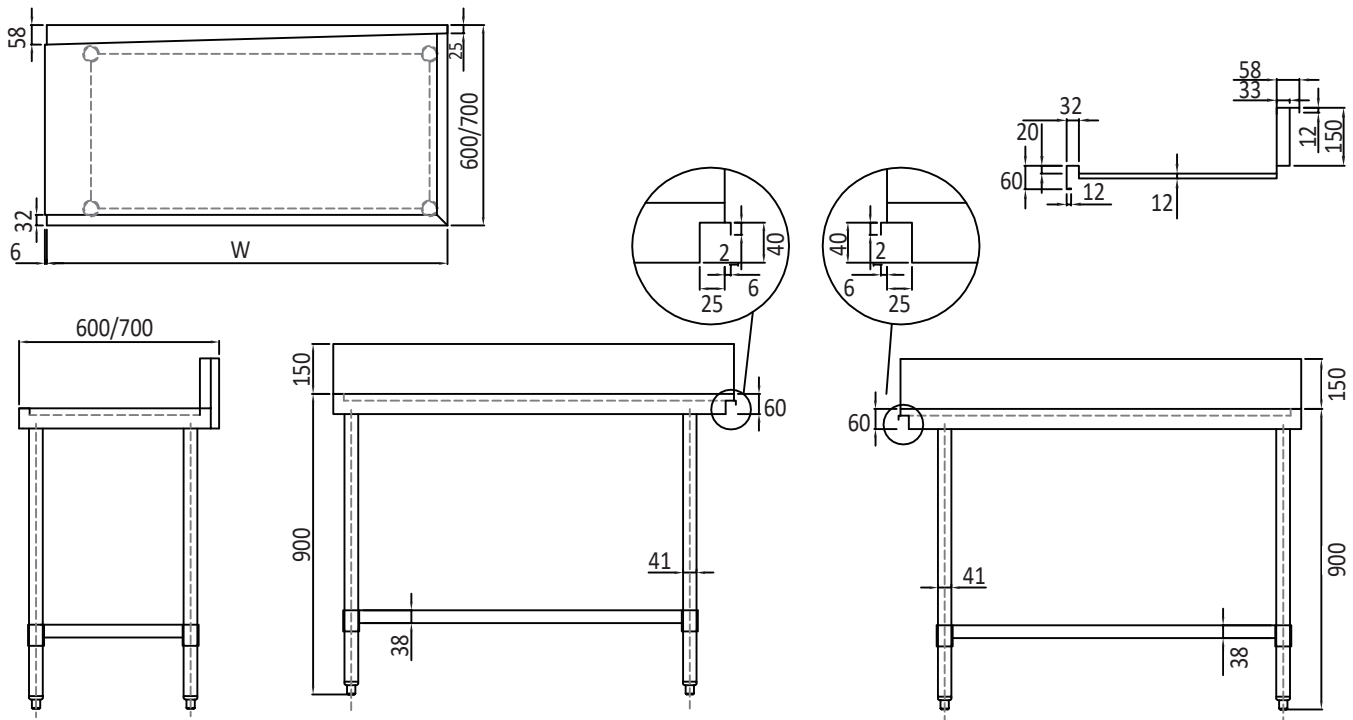


## Stainless Steel Dishwasher Bench Outlet

### FEATURES

- Suits most leading brands of popular commercial dishwashers
- Bench available in 600 and 700mm depth
- 304 grade, 1.2mm thick stainless steel top
- 150mm splash back
- Available as left or right handed exit
- Supplied flat packed ready for self-assembly
- Splash back height 150mm



Model	Dimensions (mm)	Net weight (kg)	Splashback	Packaging Dimensions (mm)	Gross weight (kg)
WST6060	W600 x D600 x H900	23.2	150mm	W1280 x D680 x H280	25.2
WAT6120	W1200 x D600 x H900	27.6	150mm	W1580 x D680 x H280	30
WST7060	W600 x D700 x H900	33.4	150mm	W1730 x D780 x H280	36.3
WAT7120	W1200 x D700 x H900	26.5	150mm	W1280 x D780 x H280	28.8