

INSTRUCTION MANUAL

DISPLAY FRIDGE



Please read the user's manual before you use this product.
If you request unnecessary services, you may waste money.
Thus, fix simple troubles by yourself which you have found.



Content:

1.Preface.....	2
2.Use of the equipment.....	3
3.Technical features.....	3
4.Operation.....	3
5.Control unit.....	4
6.Handling.....	4
7.Installation procedure.....	5
8.Connecting to the main power supply.....	5
9.Maintenance instructions.....	6
Cleaning.....	6
Cleaning the refrigerator surface.....	6
Cleaning the inside of the refrigerator.....	7
Cleaning the condenser.....	7
10.Troubleshooting.....	7
11.Technical service.....	7
12.Configuration Sketch Map.....	8
Operating Instruction.....	8
Technical Parameters.....	12
Official Approval And Rules.....	14



1. Preface

This instruction manual provides all the necessary information regarding:

- ▲ use of the refrigerator
- ▲ technical specifications
- ▲ installation and handling
- ▲ operator procedures and instructions
- ▲ maintenance operation

The manual is to be considered an integral part of the refrigerator and should be stored in a safe place for future consult to permit a good working life of the refrigerator.



ATTENTION

The manufacturer cannot be held liable in the following cases:

- improper installation (not in accordance with the guidelines indicated herein)
- misuse of the refrigerator
- power supply defects
- improper or inadequate maintenance
- unauthorised modification or tampering
- use of non-original spare parts
- partial or total failure to comply with the instructions

All electrical equipment can be hazardous to health. Current standards and legal requirements must be complied with during the installation and use of any equipment.



2. Use of the equipment

The refrigerator are for preserving fresh perishable foodstuffs, with an in-built refrigerated unit.

Do not utilise the equipment to store medical supplies.

The optimum operational ambient temperatures are between +10°C / +40°C.

3. Technical features

The refrigerator is a ventilated system, the evaporator is in a separate insulated box on the top. All the materials used in the manufacture of this unit are guaranteed to be suitable for use with foodstuffs. The gases used in refrigerator is R134a; in the refrigerator for frozen food maintenance is R404a.

The refrigerating circuit are in compliance with the current normative.

4. Operation

The gas in the refrigerating circuit is in the first time compressed, liquefied and then evaporated in the ventilated evaporator, situated on the top of the container.

This cycle involves the absorption of heat from the air in the refrigerator compartment and the reason is cooled. The heat produced is then dissipated to the outside environment by a condenser unit located on the top of the refrigerator.



5. Control unit

The refrigerator is command from a “digital control unit” and a “main switch pilot light” in the top panel of the refrigerator.

The “main switch pilot light” is for turning on the power supply.

The red pilot light comes on to indicate that the unit is connected to the main electricity and to start work.

The red pilot light comes off to indicate that the unit is disconnected and don’ t work. The “digital control unit” is for the regulation of all parameters to provide the correct working of the refrigerator. Please consult all parameters in the attachment manual of the “digital control unit”.

This manual is part of the instruction manual and is very important in case of service.

Applied refrigerant belong to non-flammable refrigerant.

6. Handling

The refrigerator arrive in PET film and packed in cardboard box on a wood pallet.



The refrigerator must be transported and handled with care to avoid posing a hazard to persons or property.

Never place a refrigerator with an in-built refrigerated unit on its side or turn it upside

down as this may damage or impair operation of the refrigerated unit.

We can not held liable for any damage or defects arising directly or indirectly from improper handling of the equipment or non-compliance with the safeguards illustrated above.





7. Installation procedure

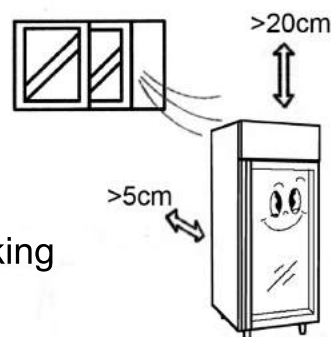
▲ Place the refrigerator in the coolest and best ventilated part of the room. Don't install the refrigerator in the near of heat and direct sunlight sources.

▲ Remove the straps securing the cardboard packing


Remove the cardboard. Covering

Remove the PET protection film

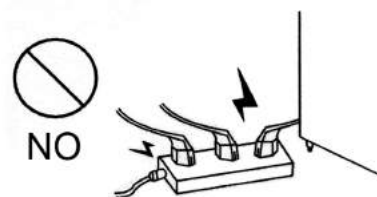
▲ Clean the refrigerator with mild detergent and then dry it with a soft cloth.



8. Connecting to the main power supply

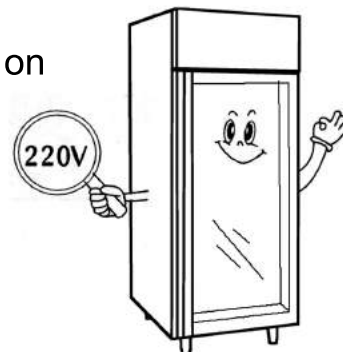
 This operation must be carried out by professionally and qualified persons.

The refrigerator are supplied complete with a power supply cable for the connection to the main power supply. A thermomagnetic circuit breaker (not supplied) must be installed between the mains power point and the power supply cable of the refrigerator.



Before proceeding make sure that:

▲ the mains voltage corresponds to the voltage on the refrigerator 220V/50Hz/1Ph; to ensure proper operation it is essential for the power supply voltage to come within a range of +/- 6% of the unit's rated voltage





- ▲ the electric system to which the refrigerator is sized to cater for the rated electric output of the buffet unit being installed
- ▲ the electronic system to which the refrigerator is connected is made in compliance with current standard requirements
- ▲ the electric connections and the installation of the thermomagnetic circuit breaker have been done by qualified person.

Connecting steps:

- ▲ Install a thermomagnetic circuit breaker suited to the rated output of the unit being installed
- ▲ Connect the refrigerator unit to the thermomagnetic circuit breaker outlet
- ▲ Check that the refrigerator is in order as demonstrated by the pilot light incorporated in the main switch coming on

9. Maintenance instructions

The smooth operation and life of the equipment are mainly determined by correct and regular maintenance

Cleaning:

Regular cleaning of the refrigerator unit is strongly recommended each month. Please follow the instructions below.

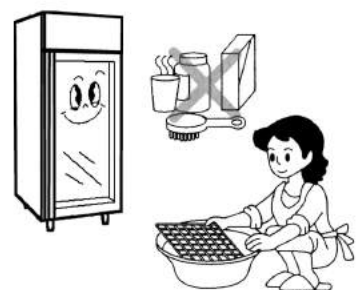


Disconnect the refrigerator power supply cable from the mains prior to carrying out any type of cleaning operation.

Cleaning the refrigerator surface:

Clean the refrigerator with mild detergent and then dry it with a soft cloth.

Do not use abrasive detergents!



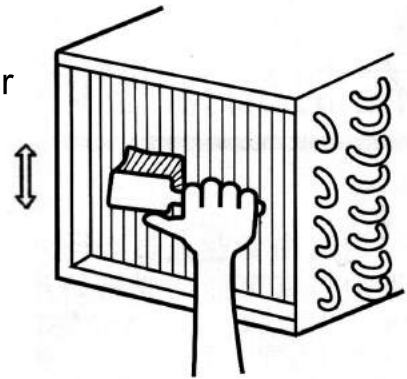


Cleaning the inside of the refrigerator:

Clean the inside area min. each month with a detergent suitable for use with foodstuffs.

Cleaning the condenser:

For an efficient operation of the refrigerator it is advisable to clean the condenser regularly approx. every 4 months with a dry brush or vacuum cleaner.



10. Troubleshooting

Refrigerator stops working (light off):

- ☆ Power supply failure

▲ Remedies:

- ☆ Check that the plug is inserted properly in the socket
- ☆ Check that the switch on/off
- ☆ Check that the mains voltage powers the plug

Refrigerator temperature go up:

- ☆ Unit too near to a heat source
- ☆ Condenser dirty or close

▲ Remedies:

- ☆ Move the counter or the heat source further away
- ☆ Clean the condenser

When replacing the lamp, please turn off the power, and remove the screw of the lampshade with a screwdriver and replace the broken bulb with a new one which applies the same electrical parameter.

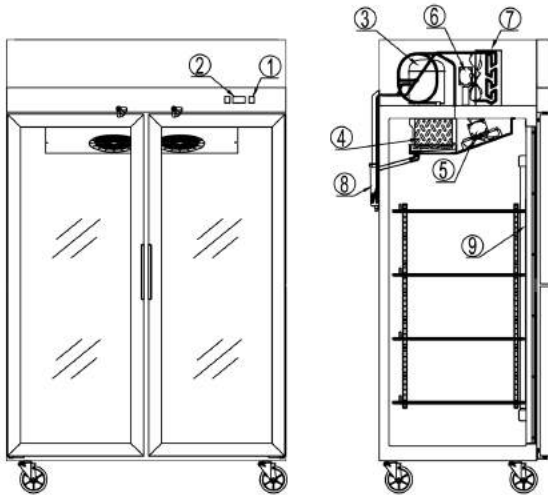
11. Technical service

For technical service please contact the dealer technical department and give him the serial n°, and the date of buy.

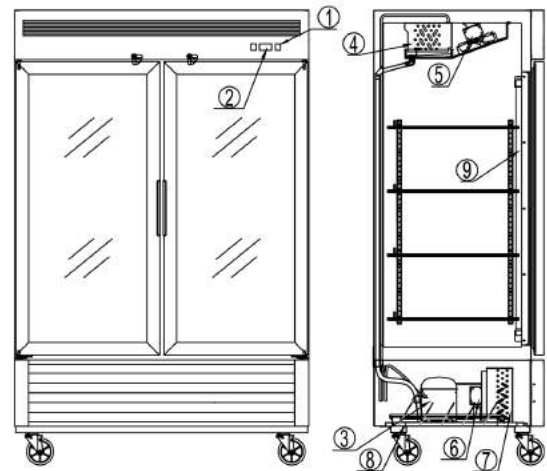


12. Configuration Sketch Map

T Serise Reach-Ins



B Serise Reach-Ins



- 1. Power switch
- 4. Evaporator
- 7. Condenser

- 2. Microcomputer controller
- 5. Evaporator fan
- 8. Downcomer for condensing water

- 3. Compressor
- 6. Condenser fan
- 9. Lamp

Operating Instruction

1. New upright air-cooling refrigerator should be opened and ventilate it before it is in use. After that, users should use warm water clean its inside.
2. After connecting the power supply, press the "POWER" switch on the controller keyboard (Green Indicator Light ON), the fridge will come to work. The microcomputer controller, installed in the controller keyboard, could automatically adjust the temperature ranges. This intelligent digital controller works as: if the temperature increases and reaches set point plus differential the compressor is started and then turned off when the temperature reaches the set point value again.







3. Microcomputer Controller Operation Instruction:

4. Microcomputer panel sketch map, meanings of running indicator light and LED showing.

5. **SET** To display target set point, in programming mode it selects a parameter or confirm an operation.


 To start a manual defrost.

 In programming mode it browses the parameter codes or increases the displayed value .

 _{AUX} In programming mode it browses the parameter codes or decreases the displayed value .

 +  To lock or unlock the keyboard

SET +  To enter in programming mode

SET +  To return to room temperature display .

6. How to see the point .

Push and immediately release the SET key, the set point will be showed;
Push and immediately release the SET key or wait about 5s to return to normal visualisation.


7. How to change the setpoint .

Push the SET key for more than 2 seconds to change the Set point value;
The value of the set point will be displayed and the “°C” or “°F” LED starts blinking;

To change the Set value push the  or  _{AUX} arrows.




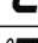
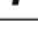
To memorise the new set point value push the SET key again or wait 10s.

8. How to start a manual defrost .

Push the DEF  key for more than 2 seconds and a manual defrost will start .



(Mod. XR06CX)

LED	MODE	SIGNIFICATO
	On	Compressor enabled
	Flashing	Anti short cycle delay enabled (AC parameter)
	On	Defrost in progress
	Flashing	Dripping in progress
	On	Fans output enabled
	Flashing	Fans delay after defrost
	On	Measurement unit
	Flashing	Programming mode
	On	Measurement unit
	Flashing	Programming mode



9. How to change a parameter value

To change the parameter's value operate as follows:

Enter the Programming mode by pressing the **SET+▼** keys for 3s ("°C" or "°F" LED starts blinking).

Select the required parameter. Press the "SET" key to display its value

Use **▲** or **▼_{AUX}** to change its value.

Press "SET" to store the new value and move to the following parameter.

To exit: Press **SET+▲** or wait 15s without pressing a key.

NOTE: the set value is stored even when the procedure is exited by waiting the time-out to expire.

10. To lock the keyboard .

Keep pressed for more than 3s the **▼+▲** keys.

The "OF" message will be displayed and the keyboard will be locked.

If a key is pressed more than 3s the "OF" message will be displayed.

11. To unlock the keyboard .

Keep pressed together for more than 3s the **▼+▲** keys till the "on" message will be displayed .

12. Alarm signalling .

Mess.	Cause	Outputs
"P1"	Room probe failure	Compressor output according to "Cy" e "Cn"
"P2"	Evaporator probe failure	Defrost end is timed
"HA"	Maximum temperature alarm	Outputs unchanged
"LA"	Minimum temperature alarm	Outputs unchanged
"EA"	External alarm	Outputs unchanged
"CA"	Serious external alarm	All outputs OFF
"dA"	Door Open	Compressor and fans restarts



Our products have been modified precisely before leaving factory, so to avoid damaging compressor unit or other malfunctions, users mustn' t modify the microcomputer parameters privately.



Technical Parameters

T Series Reach-Ins

Model code	Prevention class of getting an electric shock	Power source (V)	Rating frequency(Hz)	Input power (w)	Rated current(A)	Temperature range (°C)	Refrigerant	Dimension (mm)	Net Weight (kg)
MCF8601	I	220	50	520	3.0	-22~-17	R404a	730×845×2130	122
MCF8602	I	220	50	950	4.0	-22~-17	R404a	1314×845×2130	189
MCF8603	I	220	50	1200	5.4	-22~-17	R404a	1976×845×2130	266
MCF8604	I	220	50	338	2.3	1~8	R134a	730×845×2130	115
MCF8605	I	220	50	390	2.8	1~8	R134a	1314×845×2130	183
MCF8606	I	220	50	650	3.6	1~8	R134a	1976×845×2130	258
YCF9401	I	220	50	245	1.7	2~8	R134a	600×740×1950	85
YCF9402	I	220	50	408	3.0	2~8	R134a	1200×740×1950	135
YCF9403	I	220	50	560	3.9	2~8	R134a	1800×740×1950	180
YCF9407	I	220	50	520	3.0	-20~-17	R404a	600×740×1950	90
YCF9408	I	220	50	950	4.0	-20~-17	R404a	1200×740×1950	135
YCF9409	I	220	50	1300	6.0	-20~-17	R404a	1800×740×1950	180
YCL9503	I	220	50	300	2.0	2~8	R134a	600×700×1950	82
YCL9513	I	220	50	500	3.0	2~8	R134a	1200×700×1950	115
YCL9523	I	220	50	650	4.0	2~8	R134a	1800×700×1950	197

NOTES :

If the technical data has any changes, we will not notify you any longer.



B Series Reach-Ins

Model code	Prevention class of getting an electric shock	Power source (V)	Rating frequency(Hz)	Input power (w)	Rated current(A)	Temperature range (°C)	Refrigerant	Dimension (mm)	Net Weight (kg)
MCF8701	I	220	50	520	3.0	-22~-17	R404a	685×800×2135	140
MCF8703	I	220	50	950	5.0	-22~-17	R404a	1382×800×2135	226
MCF8704	I	220	50	1200	7.5	-22~-17	R404a	2079×800×2135	312
MCF8705	I	220	50	338	2.3	1~8	R134a	685×800×2135	133
MCF8707	I	220	50	390	2.8	1~8	R134a	1382×800×2135	220
MCF8708	I	220	50	620	3.6	1~8	R134a	2079×800×2135	296
MCF8709	I	220	50	600	3.2	1~8	R134a	1382×755×2135	207
MCF8710	I	220	50	520	3.0	-22~-17	R404a	685×800×2062	140
MCF8711	I	220	50	520	3.0	-22~-17	R404a	650×660×1935	100
MCF8712	I	220	50	950	5.0	-22~-17	R404a	1832×800×2062	226
MCF8713	I	220	50	1200	7.0	-22~-17	R404a	2079×800×2062	312
MCF8714	I	220	50	280	2.3	1~8	R134a	685×800×2062	133
MCF8715	I	220	50	280	3.2	1~8	R134a	650×660×1935	100
MCF8716	I	220	50	400	4.3	1~8	R134a	1832×800×2062	220
MCF8717	I	220	50	650	7.3	1~8	R134a	2079×800×2062	296
MCF8720	I	220	50	520	3.0	-22~-17	R404a	685×800×2062	140
MCF8721	I	220	50	950	5.0	-22~-17	R404a	1832×800×2062	226
MCF8722	I	220	50	280	2.3	1~8	R134a	685×800×2062	133
MCF8723	I	220	50	400	4.3	1~8	R134a	1832×800×2062	220
MCF8724	I	220	50	650	7.3	1~8	R134a	2079×800×2062	296
MCF8727	I	220	50	600	3.2	1~8	R134a	1382×755×2135	207

NOTES :

If the technical data has any changes, we will not notify you any longer.



OFFICIAL APPROVAL AND RULES

Our products full fill the present E.U. rules, including the CE mark of the European official approval

89/336/EEC including amendments-electromagnetic compatibility (EMC)

73/23/EEC including amendments-low voltage (LVD)

EN 60335-1:2005

EN 60335-2-24:2004

EN 55014-1:2003

EN 55014-2:2002

EN 61000-3-2:2001

EN 6100-3-3:2002

Serial № C003-106-076



